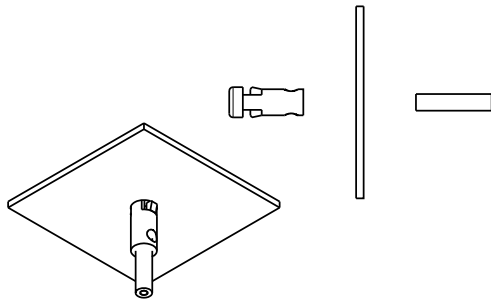
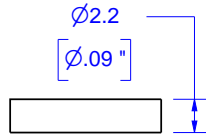


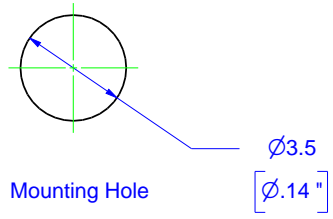
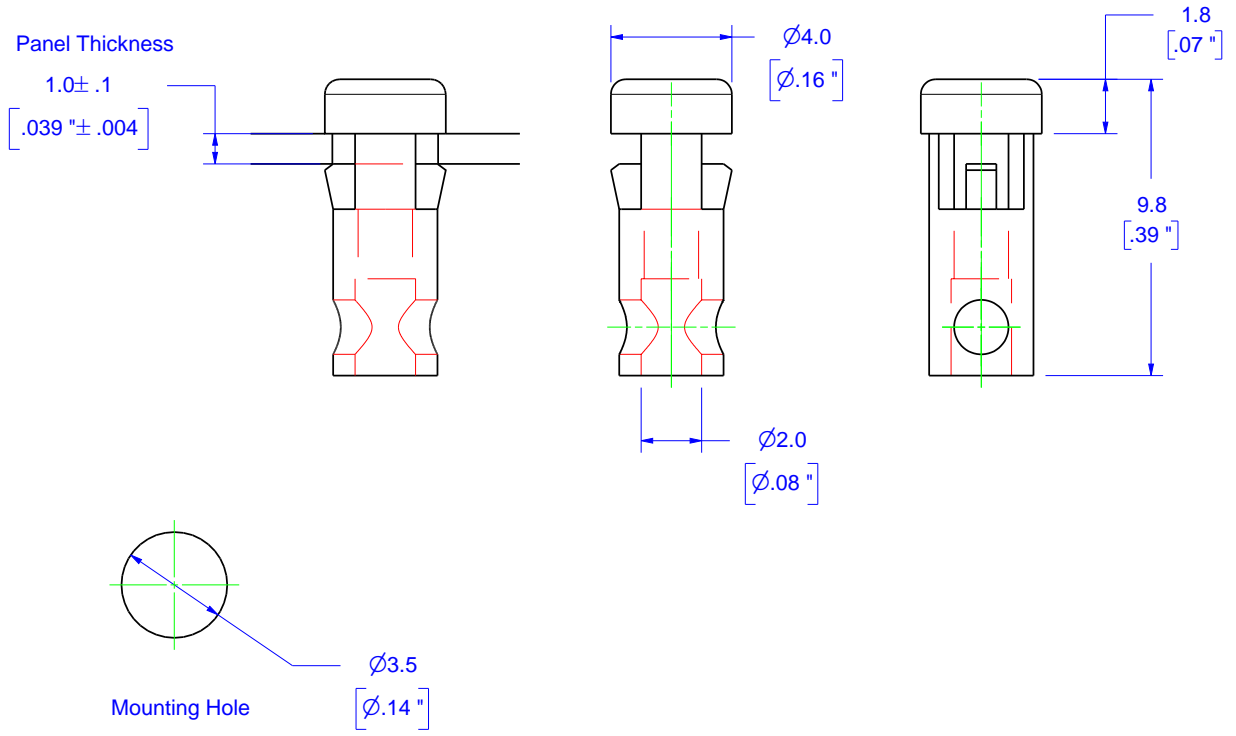
© COPYRIGHT 2012 BY INDUSTRIAL FIBER OPTICS, INC.
ALL RIGHTS RESERVED.



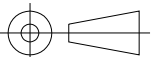
NOTES:

1. RoHS compliant
2. UL 94V-2 flammability rating
3. -40°C to 85°C operating temperature
4. Suitable for light pipes with Ø2.2mm jacket and optical core no greater than Ø1.5mm

REVISIONS					
REV	DESCRIPTION	ECO	DATE	DWN	APVD
A	Initial release		3/9/2012	BB	AR



UNLESS OTHERWISE SPECIFIED DIMENSIONS MILLIMETERS [IN.]	PRODUCT	Light Pipe			
	MATERIAL	Clear Polycarbonate			
TOLERANCES 0 PLC: ± 1 1 PLC: ± .25 2 PLC: ± .127 3 PLC: ± .025 4 PLC: ± .013 ANGLE: ± 1/2°	FINISH	NAME			
	DRAWN BY	B. Bidwell			
	DATE	2/21/2012			
	CHECKED BY	A. Reyes			
REMOVE BURRS AND SHARP EDGES FLATNESS .005mm PER mm ALL DIMENSIONS AFTER FINISH	DATE	3/9/2012		SIZE	A
METRIC	INDUSTRIAL FIBER OPTICS TEMPE, AZ 85281		SCALE	4:1	
	Light Pipe Lens		PART NUMBER	51 0351	
DO NOT SCALE DRAWING			REV	A	
Sheet 1 of 1					



METRIC

