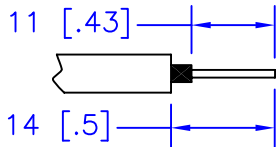


© COPYRIGHT 2009 BY INDUSTRIAL FIBER OPTICS, INC.
 ALL RIGHTS RESERVED. TOSLINK IS A REGISTERED
 TRADEMARK OF THE TOSHIBA CORPORATION.



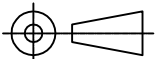
STRIP LENGTH: 11mm AND
 14mm

NOTES:

1. -40°C TO 85°C OPERATING TEMPERATURE
2. SUITABLE FOR POF WITH Ø5.0mm OUTER JACKET, Ø2.2mm INNER JACKET AND Ø1.0mm OPTICAL CORE

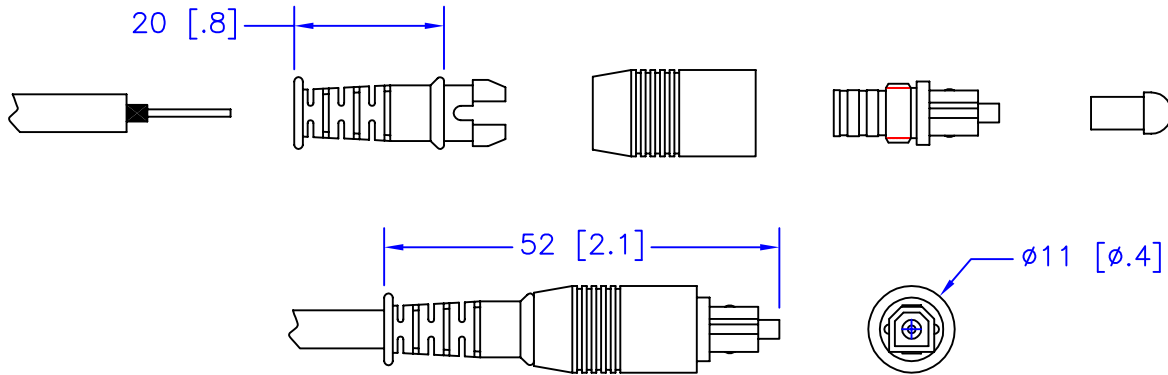
INSTRUCTIONS:

1. STRIP 14mm OF OUTER JACKET AND 11mm OF INNER JACKET
2. ASSEMBLE BOOT TO CONNECTOR HOUSING AND SLIP ON TO CABLE
3. APPLY EPOXY TO INSIDE OF CONNECTOR BODY AND TO STRIPPED OPTICAL FIBER
4. INSERT STRIPPED END OF FIBER INTO CONNECTOR BODY, USE A TWISTING MOTION TO EVENLY DISTRIBUTE THE EPOXY
5. CRIMP CONNECTOR BODY TO CABLE OUTER JACKET
6. ALLOW EPOXY TO CURE BEFORE POLISHING



METRIC

REVISIONS					
REV	DESCRIPTION	ECO	DATE	DWN	APVD
-	INITIAL RELEASE		10/21/09	BB	AR



RECOMMENDED EPOXY:
 EPO-TEK 301

CRIMP TOOL: IF 370046
 USE .213 HEX CRIMP

PART NUMBER	COLOR
51 0200	BROWN
51 0205	RED
51 0210	BLUE
51 0215	VIOLET
51 0220	GOLD
51 0225	SILVER

UNLESS OTHERWISE SPECIFIED	PRODUCT 51 0200
DIMENSIONS MILLIMETERS [IN.]	MATERIAL BRASS/ALUMINUM
TOLERANCES	FINISH PLATED/ANODIZED
0 PLC: ±1 SURFACE 3.2/	DRAWN BY BIDWELL
1 PLC: ±.25 TEXTURE: ✓	DATE 10/21/09
2 PLC: ±.127	CHECKED BY REYES
3 PLC: ±.025	DATE 11/19/09
4 PLC: ±.013	
ANGLE: ±1/2°	
REMOVE BURRS AND SHARP EDGES	
FLATNESS .005 MM PER MM	
ALL DIMENSIONS AFTER FINISH	

INDUSTRIAL FIBER OPTICS			
TEMPE, AZ 85281			
NAME FO-5 (TOSLINK®)			
SIZE A	SCALE 1:1	PART NUMBER 51 0200	REV -
DO NOT SCALE DRAWING			SHEET 1 OF 1