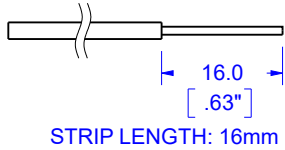


© COPYRIGHT 2011 BY INDUSTRIAL FIBER OPTICS, INC.  
ALL RIGHTS RESERVED.



**NOTES:**

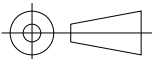
1. RoHS COMPLIANT
2. -40° C TO 80° C OPERATING TEMPERATURE
3. SUITABLE FOR POF WITH Ø2.2mm JACKET AND Ø1.0mm OPTICAL CORE
4. ONE-PIECE STAINLESS STEEL FLANGE AND FERRULE
5. NUT IS NICKEL PLATED ZINC OR PVC+PBT BLEND (POLYVINYL CHLORIDE + POLYBUTYLENE TEREPHTHALATE)
6. SILICONE DUST CAP
7. TIA 604.2 (FOCIS 2) COMPATIBLE

**INSTRUCTIONS:**

1. STRIP A 16mm LENGTH OF JACKET OFF OF FIBER.
2. SLIP BOOT OVER CABLE.
3. APPLY EPOXY TO INSIDE OF ST CONNECTOR AND BARE FIBER.
4. INSERT STRIPPED END OF CABLE INTO ST CONNECTOR. ROTATE FIBER DURING INSERTION TO EVENLY DISTRIBUTE EPOXY.
5. CRIMP CONNECTOR TO CABLE AND SLIP BOOT OVER FLANGE TO COMPLETE INSTALLATION. ALLOW EPOXY TO CURE BEFORE POLISHING.

RECOMMENDED EPOXY:  
EPO-TEK 301

CRIMP TOOL: IF 370046  
USE 2.5mm [.10 in.] HEX CRIMP



**METRIC**

UNLESS OTHERWISE SPECIFIED  
DIMENSIONS MILLIMETERS [IN.]

TOLERANCES  
0 PLC: ± 1 SURFACE TEXTURE: 3.2 ✓  
1 PLC: ± .25  
2 PLC: ± .127  
3 PLC: ± .025  
4 PLC: ± .013  
ANGLE: ± 1/2°

REMOVE BURRS AND SHARP EDGES  
FLATNESS .005mm PER mm  
ALL DIMENSIONS AFTER FINISH

PRODUCT  
MATERIAL: Stainless Steel  
FINISH: Passivated  
DRAWN BY: B. Bidwell  
DATE: 8/2/2011  
CHECKED BY: A. Reyes  
DATE: 8/9/2011

Industrial Fiber Optics  
TEMPE, AZ 85281

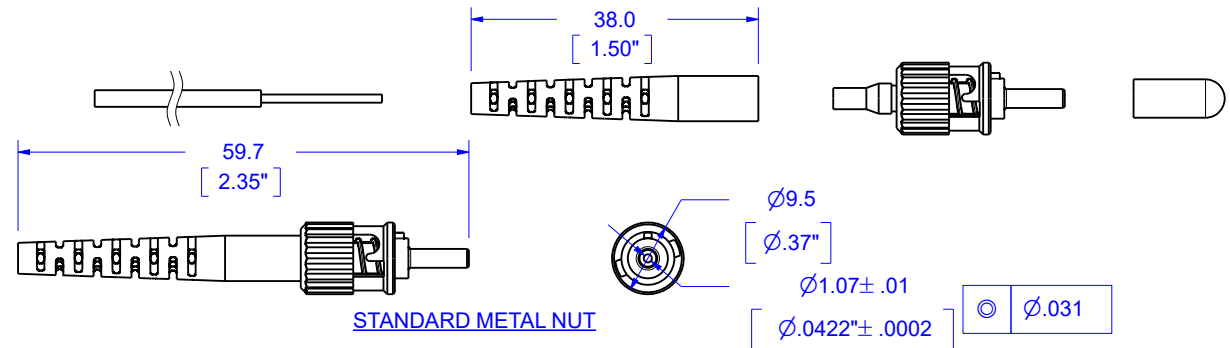
NAME: **ST Connector**

SIZE: <b>A</b>	SCALE: 1:1	PART NUMBER: 51 0067	REV: <b>A</b>
----------------	------------	----------------------	---------------

DO NOT SCALE DRAWING

REVISIONS

REV	DESCRIPTION	ECO	DATE	DWN	APVD
-	Initial release		10/21/2009	BB	AR
A	Redrew, updated connector	0118	8/2/2011	BB	AR



Part Number	Description
51 0066	Short black boot
51 0067	Standard black boot
51 0166	Standard yellow boot
51 0167	Standard red boot
51 0168	Standard blue boot
51 0169	Standard white boot
51 0063	Blue poly nut, blue boot
51 0064	Red poly nut, red boot

