

SAA-4 Series

FC ADAPTOR

TECHNICAL SPECIFICATIONS



SEIKOH GIKEN Co.,Ltd.
Fiber Optic Products Division
296-1, MATSUHIDAI, MATSUDO-SHI,
CHIBA, 270-2214 JAPAN.
TEL: +81-47-388-6111 FAX: +81-47-388-4477

SAA-4 Series FC ADAPTOR
TECHNICAL SPECIFICATIONS

NCD-93C1-01	March	1999
NCD-93C1-02	July	1999
NCD-93C1-03	February	2001
S04-H018-01E	July	2006
S04-H018-02E	April	2008
S04-H018-03E	January	2011

Copyright © 1999 - 2011 by **SEIKOH GIKEN Co.,Ltd.**
All right reserved.

The information contained herein shall not be reproduced or disclosed to any third party without the express written consent of SEIKOH GIKEN Co., Ltd. The specifications and materials contained herein are subject to change without notice.

Please address any questions, comments, and suggestions to:

SEIKOH GIKEN USA, Inc.

4405 International Blvd., Suite B109
Norcross, GA 30093 U.S.A.
TEL: +1-770-279-6602
FAX: +1-770-279-8839

SEIKOH GIKEN Europe GmbH

Siemensstrasse 9
D-63263 Neu-Isenburg, Germany
TEL: +49-6102-297-701
FAX: +49-6102-297-750

SEIKOH GIKEN Hangzhou Co.,Ltd.

526 Binkang Road Binjiang District, Hangzhou,
Zhejiang, China 310052, P.R. China
TEL: +86-571-8777-4098
FAX: +86-571-8777-4099

TABLE OF CONTENTS

Section		Page
1	SCOPE	1
2	PART NUMBER	1
3	GENERAL SPECIFICATIONS	2
	3.1 Parts and Materials	2
	3.2 Physical Dimensions	2
	3.3 General Tolerance	2
	3.4 Insertion Loss	2
	3.5 Appearance	3
4	PACKING	4
5	IDENTIFICATION	4
6	HANDLING AND CARE	4
	6.1 Conditions of Storage	4
	6.2 Precautions of Use	4
	6.3 Disposal	4

Table

Table 1	Part Number	1
Table 2	Parts and Materials	2
Table 3	General Tolerance	2
Table 4	Insertion Loss and Measurement Conditions	3

Figure

Figure 1	Insertion Loss and Measurement System	3
Figure 2	SAA-4 Series Adaptor	5
Figure 3	Parts Dimensions	6
Figure 4	Cut-hole Dimensions for Reference	6

1 SCOPE

These specifications apply to the SAA-4 Series FC adaptor supplied by SEIKOH GIKEN Co., Ltd.


2 PART NUMBER

Part number of the adaptor is shown in Table 1.

Table 1 Part Number

MODEL Number		TYPE Number					
SAA-4		2	2	2	0	0	G

Split Sleeve	
1	Phospher Bronze
2	Zirconia

Marking	
1	No Marking
2	SAA-4  SEIKOH GIKEN

Cap	
2	Red Rubber Cap

Auxiliary digit	
0 0 G	

Please contact us for availability of other specifications.

3 GENERAL SPECIFICATIONS

3.1 Parts and Materials

Parts and materials are shown in Table 2.

Table 2 Parts and Materials

No.	Part Name	Qty	Material	Notes
①	Adaptor Housing	1	Brass	Nickel Plating
②	Sleeve	1	Brass	Nickel Plating
③	Fitting Sleeve	1	Brass	Nickel Plating
④	Split Sleeve	1	Phosphor Bronze	-
			Zirconia Ceramics	-
⑤	Cap	2	Silicone	Rubber Cap, Red

Note: Item on Table 2 corresponds to the item reference number on Figure 2, 3.

3.2 Physical Dimensions

Figure 2 shows the SAA-4 series adaptor.

Figure 3 shows the part dimensions.

- In accordance with IEC 61754-13 Type FC-PC connector family.
- In accordance with JIS C 5970 F01 Type connectors.

3.3 General Tolerances

Permissible deviation in dimensions without tolerance indication is in accordance with ISO 2768-m (JIS B 0405-m), as shown in Table 3.

Table 3 General Tolerance (ISO 2768-m)

Basic size step [mm]		Permissible deviation [mm]
Over	Under	
0.5	3	±0.1
3	6	±0.1
6	30	±0.2
30	120	±0.3

3.4 Insertion Loss

Insertion loss of the adaptor and measurement conditions are shown in Table 4.

Figure 1 shows the measurement system.

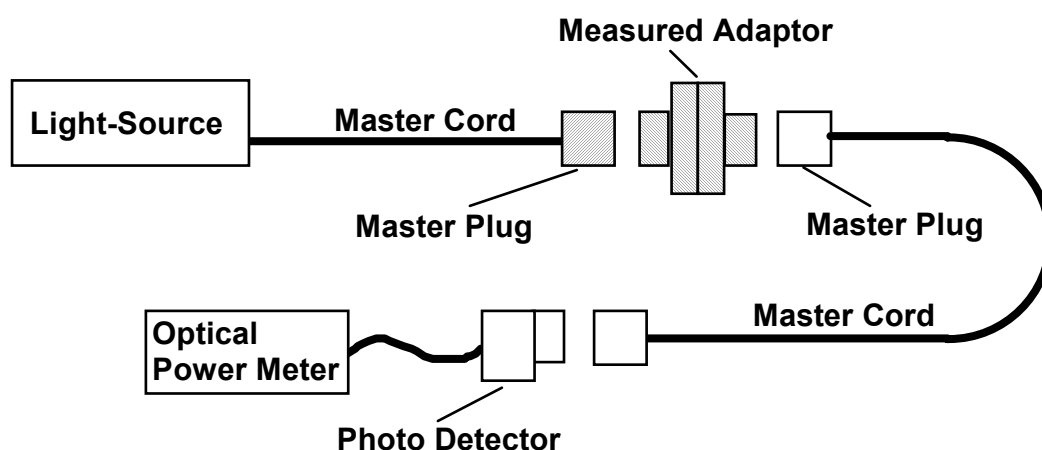


Figure 1 Insertion Loss Measurement System

Table 4 Insertion Loss and Measurement Conditions

Parts Number		SAA-4 ***00G
Insertion Loss		0.2 dB or less
Conditions	Light Source	LD
	Wave Length	1.31 μm
	Applicable Fiber	Single mode
	Master Cord Type	PC, R20 mm

3.5 Appearance

There shall be no burrs or scratches that affect the product.

4 PACKING

The product is packed to prevent damage during shipment.

5 IDENTIFICATION

Identification label should indicate the part number and the lot number of the product(s) and should be permanently attached to the packing bag.

6 HANDLING AND CARE

6.1 Conditions of Storage

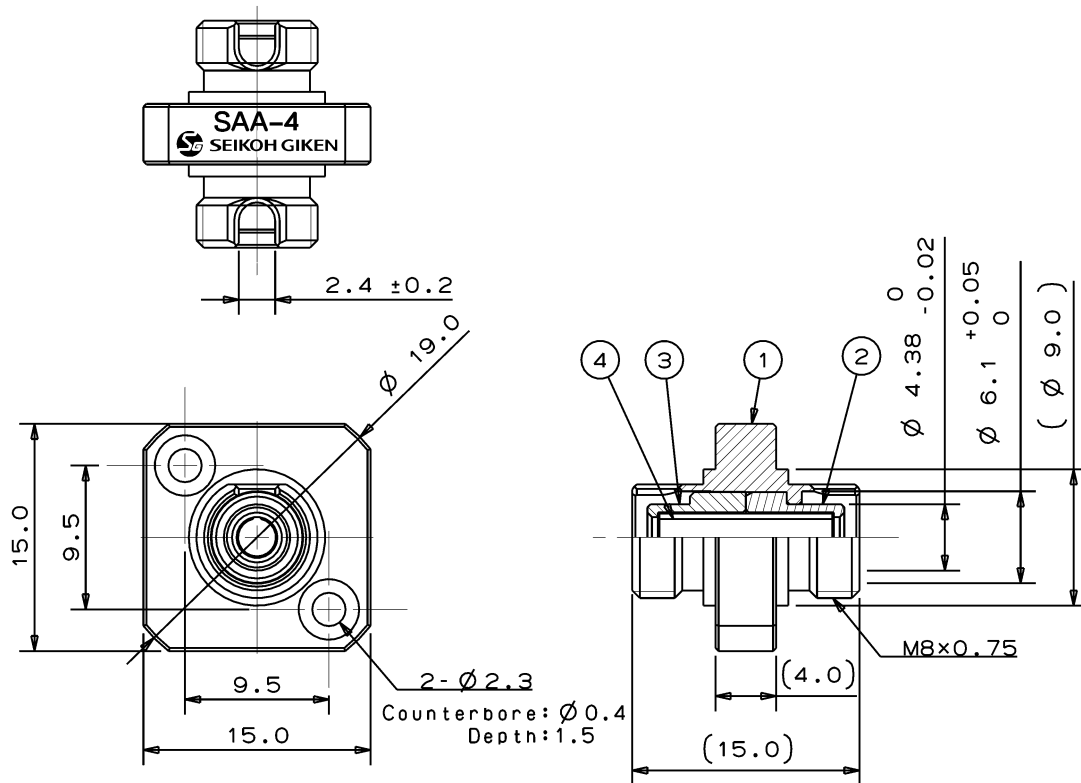
For storage of the product, keep in the packing bag and keep away from corrosive gas, high-temperature and humidity, extreme-low temperature and direct sunlight.

6.2 Precautions for Use

Contamination, oil, sweat and others debris on the inside of the slit sleeve may influence the performance of the product. If contamination is on the inside of the slit sleeve, clean the inside before connecting.

6.3 Disposal

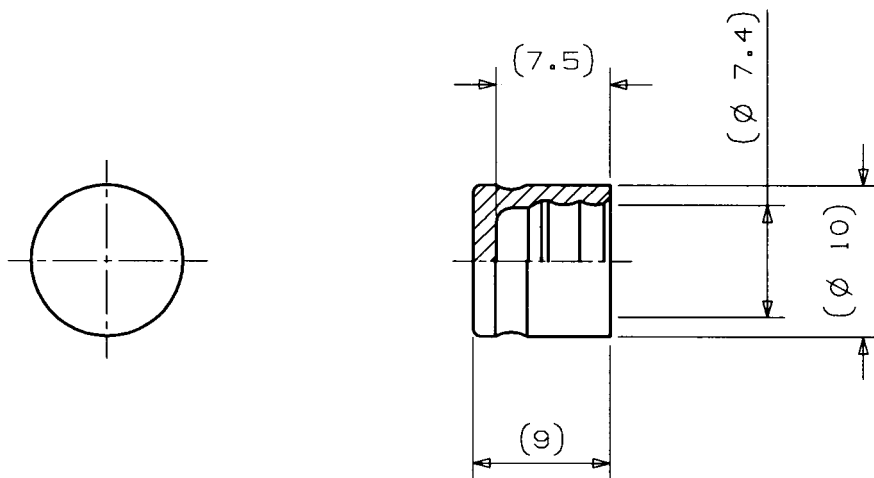
When discarding this product, please follow the regulations of your own country.



Note: This drawing does not include the cap.

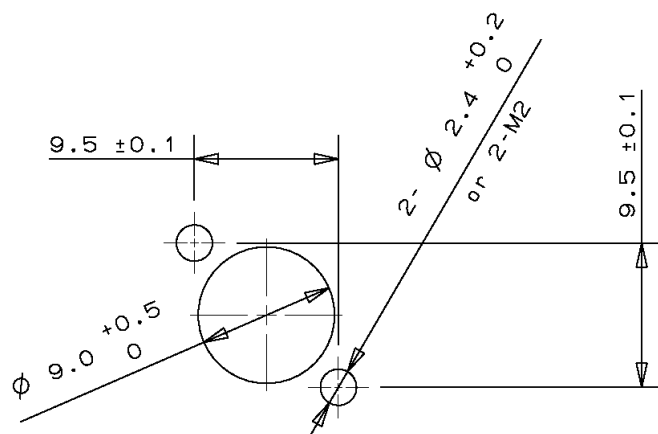
Unit: mm

Figure 2 SAA- 4 Series Adaptor



Unit: mm

Figure 3 ⑤ Cap



Unit: mm

Figure 4 Cut-hole Dimensions for Reference